



Limestone Diesel Engine Jaw Stone Crusher Machine PE250x400

Our Product Introduction

for more products please visit us on mining-crushermachine.com

Basic Information

- Place of Origin: China
- Brand Name: Ascend
- Certification: ISO9001
- Model Number: PE200x300 PE220x350 PE250x400 PE400x600
- Minimum Order Quantity: 1 set
- Packaging Details: Wooden box or put in container
- Delivery Time: 7-10 working days
- Payment Terms: T/T, Western Union, MoneyGram, L/C
- Supply Ability: 50 Sets per month



Product Specification

- Name: Jaw Stone Crusher Machine
- Key Words: Stone Crushing Machine
- Model: PE250x400
- Function: Stone Crushing
- Motor: 5.5-30kw
- Application: Limestone
- Highlight: **Jaw Stone Crusher Machine PE250x400, Diesel Jaw Stone Crusher Machine, Limestone Jaw Stone Crusher Machine**

Product Description

Limestone Diesel Engine Jaw Stone Crusher Machine PE250x400

Jaw Stone Crusher Machine is currently the most commonly used crusher in the world, which is divided into coarse and fine. Among them, the large and medium-sized Jaw crusher is one of our company's representative products, especially in design and production, which is in an absolute leading level in China.

Jaw crusher specifications

Model	Feeding mouth size (mm)	Max Feeding size (mm)	Adjusting range of output size (mm)	Capacity (t/h)	rotation speed (r/min)	Power (kw)	Weight (t)	Dimension (L×W×H) (mm)
PE-150×250	150×250	125	10-40	1-3	260	5.5	0.7	1000×870×990
PE-200×300	200×300	180	15-50	2-6	260	7.5	1	1050×920×990
PE-220×350	220×350	200	18-55	4-10	260	11	1.3	1100×970×990
PE-250×400	250×400	210	20-60	5-20	300	15	2.8	1300×1090×1270
PE-400×600	400×600	340	40-100	16-60	275	30	7	1730×1730×1630
PE-500×750	500×750	425	50-100	40-110	275	55	12	1980×2080×1870
PE-600×900	600×900	500	65-160	50-180	250	55	17	2190×2206×2300
PE-750×1060	750×1060	630	80-140	110-320	250	110	31	2660×2430×2800
PE-900×1060	900×1060	685	230-290	230-390	250	110	33	2870×2420×2940
PE-900×1200	900×1200	750	95-165	220-450	200	110	52	3380×2870×3330
PE-								
PEX-150×750	150×750	120	18-48	8-25	320	15	3.8	1200×1530×1060
PEX-250×750	250×750	210	25-60	13-35	330	30	5.5	1380×1750×1540
PEX-250×1000	250×1000	210	25-60	16-52	330	30	7	1560×1950×1390
PEX-250×1200	250×1200	210	25-60	20-61	330	37	9.7	2140×1660×1500
PEX-300×1300	300×1300	250	20-90	16-105	300	55	15.6	2720×1950×1600

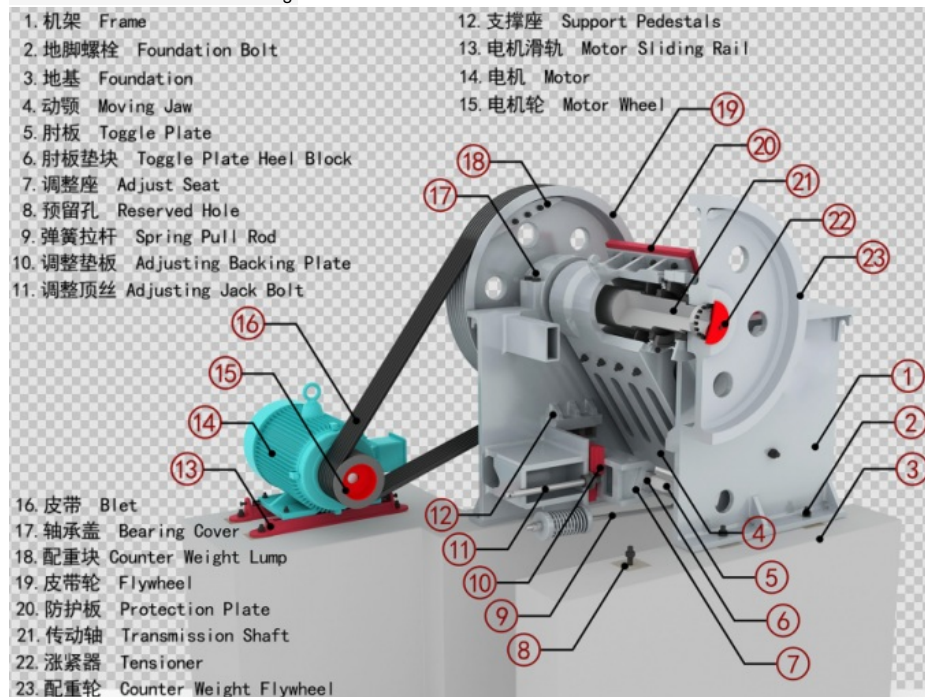
Jaw crusher advantages

1. Simple structure ensures the crushing machine is not easy to break down.
2. Easy operation, which makes the crusher can be operated by common people.
3. High crushing ratio. Large stone lump can be quickly crushed into small particles.



Jaw crusher overview

Jaw crusher is one of the most common crushing equipment, mainly composed of moving jaw and static jaw. It is a crusher that simulates the two jaw movement of animals and completes the crushing operation of ores. Jaw crusher can be divided into two series according to different crushing method: PE series and PEX series. PE series jaw crusher is usually used for coarse crushing, PEX series jaw crusher is usually used for intermediate and fine crushing.



Product pictures



Main Components



Fly wheel



tooth-shape plate



Eccentric shaft



Jaw plate assembly



ASCEND Henan Ascend Machinery Equipment Co., Ltd.

+86 18221130967

wilson_ascendme@163.com

mining-crushermachine.com

Shenglong block, high tech zone, Zhengzhou, China